

Specification

Standard

- IEEE802.3 10Base-T Ethernet
- IEEE802.3u 100Base-Tx Fast Ethernet
- IEEE802.3ab 1000Base-T Gigabit Ethernet
- Support terminal equipment with IEEE802.3af/at, PoE++
- RoHS Compliance
- WEEE Compliance

Input & Output

- Input :100-240Vac 1.0A 50/60Hz
- Output: 55Vdc 640mA
- Power Pins: 3/6(+), 1/2(-)
- Data Speed: 10/100/1000Mbps

Working Environment

- Operating Temperature: 0℃ to 40℃
- Operating Humidity: 20% to 80%, non-condensation
- Storage Temperature: -20℃ to 70℃
- Storage Humidity: 10% to 90%, non-condensation
- Operating Altitude: up to 2000meters

AC Surge Protection

- 1.0KV (5P/5N)
- L-N 1.2/50 (8/20) Tr/Th us
- 2.0KV (5P/5N)
- L-PE 1.2/50 (8/20) Tr/Th us
- N -PE

Mechanical Characteristics

- Case: Plastic
- Color: Black
- Mounting: Wall-mounted
- IP Rated: IP40
- Size: 140mm X 63mm X 33mm
- Weight: 205g

Safety Approvals

- CE
- FCC

EMI

- FCC CFR47 Part 15, EN55024, EN55032

EMS

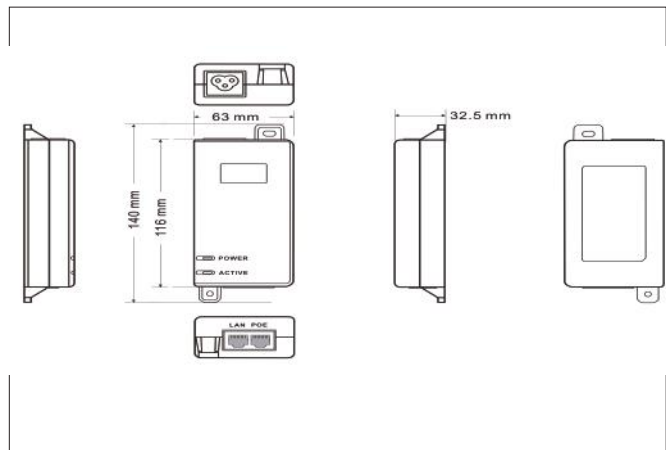
- IEC61000-4-2(ESD) ± 6kV(contact), ±8kV(air)
- IEC61000-4-3(RS) 10V/m(80MHz~2GHz)
- IEC61000-4-4(EFT) Power Port: ±2kV; Data Port:±1kV
- IEC61000-4-5(Surge) Power Port:±1kV/DM, ±2kV/CM
- IEC61000-4-6(CS) 10V(150kHz~80MHz)

Immunity

- IEC60068-2-6(Vibration)
- IEC60068-2-27(Impact)
- IEC60068-2-32(Free Fall)

LED Indicator

- Power Indicator : Green
- PoE Load Indicator : Green



Order Info. PT-PSE101G-AT

55Vdc/0.64A/1000Mbps/(3,6+,1,2-)/Passive

Packing. PT-PSE101G-AT
Manual x 1



PT-PSE101G-AT

Standard Gigabit Single-Port PoE Injector

Product Overview

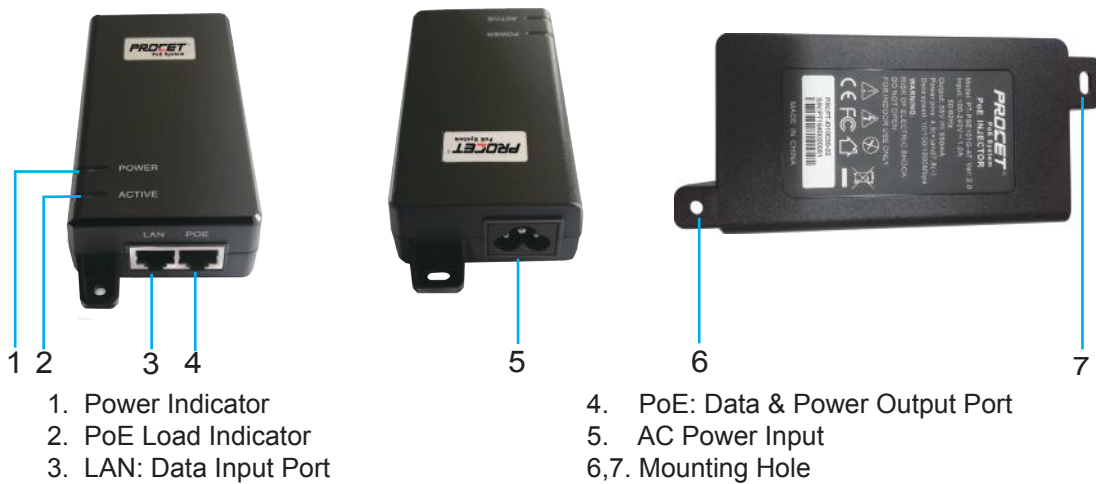
PT-PSE101G-AT is a single port PoE Injector. It provides 55Vdc, 0.64A power for remote PDs over 2 pairs output. It supports both 10/100 Base-T and Gigabit device. It works for 35W PoE PDs, such as wireless APs, Network cameras, IP Phones and other high power Ethernet terminals.

It supports terminal equipment with IEEE802.3af/at PoE standard.

PT-PSE101G-AT is designed for indoor use. It works with input voltage of 100-240Vac. It will directly power PDs without detection. The effective distance is 100 meters over Cat5e/Cat6 cables.

It is easy to install with two mounting holes.

Product Profile



Product Working Diagram

