



FitController

EnGenius Fit Network Management Controller



EnGenius FitController is a simple, secure, and easy-to-use Wi-Fi solution for your small business. Our intuitive system makes it easy to manage your network. Plus, our advanced security features help keep your data safe, and your customers connected.

For IT managers or admins at small businesses who need to manage access points and switches quickly and easily, FitController's intuitive interface and simple plug-and-play integration securely provide efficient device management, while cloud accessibility allows remote management of multiple networks from a single portal without requiring a dedicated server. Admins can easily view detailed analytics from a single pane of glass as well as monitor and troubleshoot issues instantly.

- Simply plug into PoE Ethernet switch. No additional download or training required.
- Fast deployment with quick-scan device registration & configuration.
- Network management for up to 100 EnGenius Fit APs and Switches.
- Hierarchy view to quickly structure customer sites and organize networks.
- Network health view to analyze networks and report potential issues
- Multi-tenant user login privileges .
- Device two-factor authentication to ensure only authorized devices are on the network.
- Support up to 50 networks.
- Built-in powerful Qualcomm Qual-Core CPU
- Micro SD slot for extra back-up
- 802.3af or DC12/1A input power source

Features & Benefits

Simplify the Complex

FitController requires no complicated installation—simply plug and play. The intuitive interface allows you to register, configure, and add devices to your network in just a few clicks.

Manage From a Single Pane of Glass

The intuitive interface and effortless integration securely provide efficient device management of multiple networks from a single portal.

Safeguard Your Staff and Resources

Because it's deployed at every site, the FitController offers an always-on, secure, single sign-on service. Its security protocols keep your data and devices safe while two-factor authentication prevents access in case passwords are compromised.

Enjoy Time-Saving Management Features

Easily view the general status or deep-dive analytics of up to one hundred devices while troubleshooting and resolving issues from a single management interface.

Total Control

FitController is affordable but highly secure, allowing you to create separate business & guest networks, and limit network availability to bandwidth hogs. You determine who can access your network and when. You establish the bandwidth for staff, customers, and applications.

View Real-Time Status of Network and Client Devices

Business owners have the ability to see devices and client status, port connection states, and PoE utilization to better evaluate and assess networks.

Technical Specifications

Hardware Specifications

CPU Processor

Model: Qualcomm® Quad-Core ARM Cortex A53 @ 1.8GHz CPU

Architecture: 32-bit

Hardware Encryption Acceleration: Yes

Memory

System Memory: 2GB DDR4

Memory Slot Storage

eMMC: 8GB (MLC)

Interfaces and LEDs

2 x 10/100/1000 Mbps RJ45 ports
(1 x PoE 802.3 af)

1 x Micro SD Slot

1 x DC-Input Jack

1 x Reset Button

1 x Power LED (Blue)

2 x LAN LED (Green)

Operating

Temperature: 32°F~122°F (0°C~50°C)

Humidity: 0%~90% typical

Storage

Temperature: 40°C~80°C (-40°F~176°F)

Humidity: 0%~90% typical

Management

Manage up to 100 EnGenius Devices
(Access Points or Switches)

Reserving Suration of Managerial Data

Maximum 7 days for 100pcs of Access Points and switches

Dashboard

Managed Access Points / Switches

System Resource Usage

– CPU: Usage (%) of CPU for FitController

– Memory: Usage (%) of Memory for FitController

– Disk: Usage (%) of Disk for FitController

System Overview

Recent Projects

Global Settings

Account Management (Multi-Tenant)

– Master

– Users

– Guests

E-Mail Alert

Backup/Restore

– Option 1: Backup configure files to FitController

– Option 2: Backup config files to Micro SD card.

Reboot/Reset FitController

Auto Transmit Power

Auto Channel

Diagnostic

Software Update

Device Inventory

Register EnGenius Fit devices (AP or Switches)

Project

Device Management

Summary

Device Configuration

– SSID Setting

– VLAN Per SSID

– Fast Roaming (802.11k)

– Band Steering

– NAS IP

– NAS ID

– NAS Port

– L2 Isolation

– Whited List/Blocked List per SSID

– Traffic Shaping

AP Groups

Schedule

– Schedule Settings

– Reboot

– Scheduler for SSID

Monitoring

Rogue AP Detection

Active Clients

Visualization

Topology View

Statistics

Access Point

Wireless Client Information

Real Time Throughput

Hotspot Service

Captive Portal (NAT / Bridge mode)

Guest Account

Maintenance

Bulk Update

Supported Models

EWS FIT AP

EWS FIT Switch

Dimensions & Weights

FitCon100 (Device)

Weight: 165g

Length: 6.02" (153 mm)

Width: 3.04" (77.4 mm)

Height: 1.69" (43 mm)

Packaging

Weight: 260g

Length: 6.86" (174.25 mm)

Width: 3.95" (100.5 mm)

Height: 1.69" (43 mm)

Master Carton

Weight: 5.82kg

Length: 17.95" (456 mm)

Width: 8.66" (220 mm)

Height: 8.26" (210 mm)

20 pcs per carton

Certification

FCC

CE

IC

UKCA

Mounting

Ceiling Mounting

Wall Mounting

Package Contents

1 – FitController100

1 – Product card

1 - Ethernet cable

1 - Screw position identifier

1 – Wall Mount Accessories
(Exclude Power Adapter)

Warranty

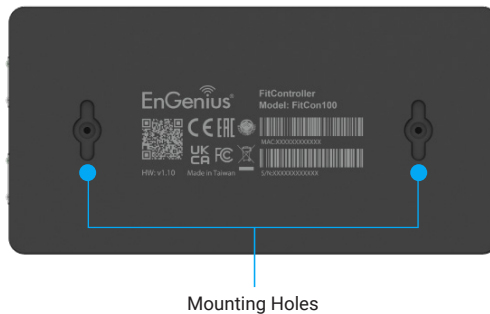
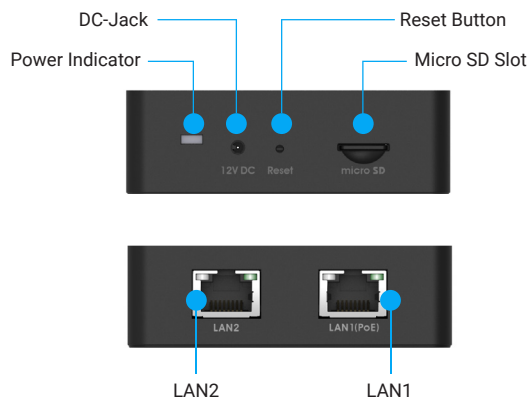
1 Year

Power Source(Optional)

Power adaptor:DC12V/1A AC100~240V 2.5ϕ

PoE Switch: 802.3af

FitController100 (FitCon100) Product Views



EnGenius Technologies | Costa Mesa, California, USA

Email: support@enginustech.com
Website: www.enginustech.com
Local contact: (+1) 714 432 8668

EnGenius Networks Singapore Pte Ltd. | Singapore

Email: techsupport@enginustech.com.sg
Website: www.enginustech.com.sg
Local contact: (+65) 6227 1088

EnGenius Technologies Canada | Ontario, Canada

Email: support@enginustech.com
Website: www.enginustech.com
Local contact: (+1) 905 940 8181

EnGenius Networks Dubai | Dubai, UAE

Email: support@enginius-me.com
Website: www.enginius-me.com
Local contact: (+971) 4 339 1227

EnGenius Networks Europe B.V. | Eindhoven, Netherlands

Email: support@enginustech.com
Website: www.enginustech.com
Local contact: (+31) 40 8200 887

恩睿科技股份有限公司 | Taiwan, R.O.C.

Email: support@enginustech.com.tw
Website: www.enginustech.com.tw
Local contact: (+886) 2 2652 1808